

# LATEST IMPROVED—SELF REGULATING CURRIE WIND MILLS

Windmill-Parts.com

214 504-8234

Windmill-Parts.com

214 504-8234

## FOR GREATER SERVICE

YOU receive the benefits of more than 60 years' experience in design, workmanship and materials when you buy a CURRIE Windmill; all these principles are applied to produce a mill that will give you the greatest service for your windmill dollar.

Windmill-Parts.com

214 504-8234

IMPROVEMENTS and refinements have been made so that today you receive in a CURRIE Windmill everything you had hoped for—a **Simple, Silent, Self-Regulating, Easy-Running, Well-Balanced and Powerful** mill that will give you years and years of uninterrupted service.



## EVERY CURRIE WINDMILL HAS:—

Windmill-Parts.com

214 504-8234

Windmill-Parts.com

214 504-8234

- 1 **DOUBLE GEARS:** When you buy a CURRIE, you will get gears much heavier and stronger than many you have seen in other makes. There is NO side-draft on the CURRIE square-across gears.
- 2 **AUTOMATIC SPEED CONTROL:** All CURRIE Mills are Self-Regulating. They operate in the slightest breeze and as the velocity of the wind increases, the wheel speed is automatically maintained for proper pumping.
- 3 **BEARINGS:** More than 60 years' experience has convinced us that Hard Wood Maple Bearings give the most satisfactory service. We have never received a single complaint on the service rendered by the special oil absorbing wood bearings. Hard Maple (impregnated with oil) wears as smooth as glass coated with oil; produces little friction and gives long trouble-free service. Should they become worn from neglect, these bearings are easily replaced, at a very nominal cost, without removing gears or wheel-hub from shaft.
- 4 **DOUBLE PITMANS:** In order to eliminate friction and side strain, every CURRIE has two large Pitmans, Direct-Center-Lift, producing silent, smooth and even operation.
- 5 **INTERNAL BRAKE:** The brake shoe operates on the inside of the wheel hub to protect it from freezing and possible breakage. As the mill is thrown out of gear, the brake is applied and automatically adjusted by a spring tension.

Windmill-Parts.com

214 504-8234

## EXCLUSIVE WHEEL AND VANE DESIGN:

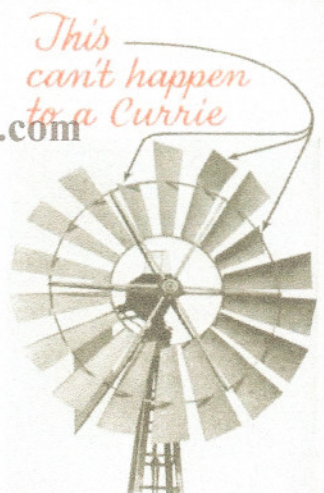
- A OUTER END** of Sails supported by rim that encircles the entire wheel and supports each Sail rigidly. Look at CURRIE wheel, then the one at right!
- B BOTH ENDS** of Sails are turned to a right-angle, stiffening the Sail the entire width, securely holding the curve and forming a perfect attachment inside and outside rims or bands.
- C RIGHT ANGLE** at end of Sails prevents wind from slipping off ends of Sails, making it pass through wheel to produce the most powerful wheel on the market.
- D HEAVY RIM** or band on the outer edge of wheel acts as a balance wheel to carry up-and-down pump stroke evenly and smoothly.
- E STRONGEST WHEEL** we know how to produce, yet light in weight. Sails attached to wheel separately with bolts and LOCK WASHERS and NOT in sections—easily replaced in case of damage.
- F CURRIE VANE** is made of corrugated galvanized steel, light in weight, but strong and rigid. This corrugated design responds quickly, as the wind will not slide off as on a flat surface.

Windmill-Parts.com

214 504-8234

Windmill-Parts.com

214 504-8234



### HOLDS FANS IN PLACE

"I think the Currie Windmill is O.K. Have had mine about 14 years and it has given good service. I like the band around the outside of the fans, they sure hold the fans in place."

EARL PRICE, Hugo, Colo.

### ADDS STRENGTH TO WHEEL

"I have had a Currie Windmill in use for 14 years and never had any repairs. It is a 10-foot wheel, double geared, double pitman, with band around wheel which is a great help and adds much strength to wheel."

C. E. BENTLEY, Era, Texas.

## COMPARE THESE FEATURES WITH ANY MILL ON THE MARKET

# LATEST IMPROVED "CURRIE"

## Self-Oiling WINDMILLS

Windmill-Parts.com

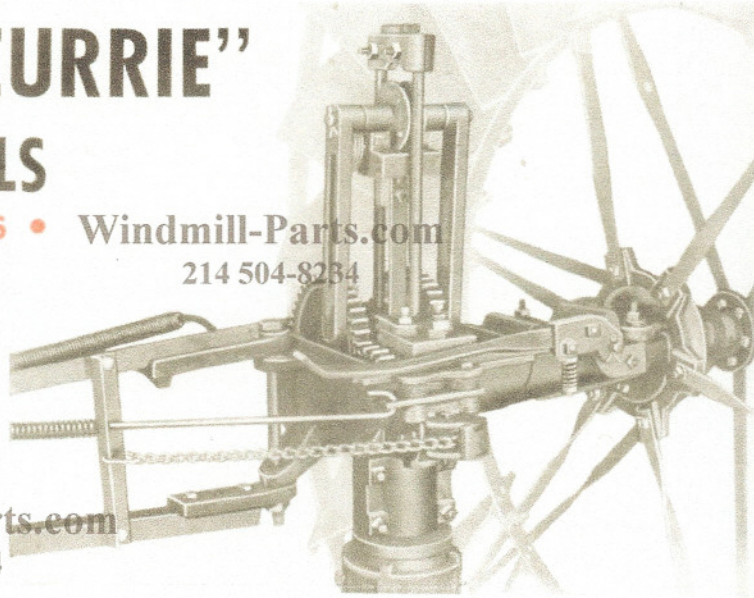
214 504-8234

Windmill-Parts.com

214 504-8234

A windmill, after it is erected, is usually the most neglected piece of equipment on the farm and that is why it must be constructed so as to require a minimum amount of care.

THE CURRIE Self-Oiling Mill is built to give you the most of service with a minimum amount of attention. It has a one piece gear case for holding the oil (change oil once a year). A cover fits over the top to protect the working parts from the elements. It is compact in design and sturdy in construction.



### TWO SIZES

We make the CURRIE Self-Oiler in 6 and 8-foot sizes, having a gear ratio of 3 to 1. The six-foot with 4½-inch stroke is recommended for shallow wells. Of course, a great deal depends on the size of cylinder. The eight-foot with 6-inch stroke is recommended for wells up to 100 feet and deeper, depending on cylinder size. For deep wells of around 200 to 300 feet, we recommend the CURRIE 10-foot Open-Geared mill.

#### BEST—CHEAPEST—SIMPLEST

"I like the Currie Self-Oiling Windmill bought in 1930. It is over 20 years old and I don't need any repairs yet. The mill is light running with the slightest wind. It is not only the best mill, it is also the cheapest and simplest I ever saw."  
CHRIST SCHRENK, Greenway, S. D.

#### ENTIRE SATISFACTION

"The Currie Self-Oiling Mill has given me entire satisfaction, furnishing me with my flour. I could not ask for better service. I change oil about once in 24 months, although I have let it go a few times for 20 months. I bought the mill some 12 years ago."  
W. C. BASS, Poplarville, Miss.

#### HANDLES WELL IN HARD WIND

"I have used a Currie Windmill for 11 years. It runs easily with very little wind and handles itself in a hard wind."  
WM. J. ESSERT, Yoder, Wyo.

#### 18 YEARS—NO COST

"Some 18 years ago I bought a Currie Windmill. It is still in service and never has cost a penny for repairs."  
FRANK VERKAMP, St. James, Mo.

#### NO EXPENSE IN 30 YEARS

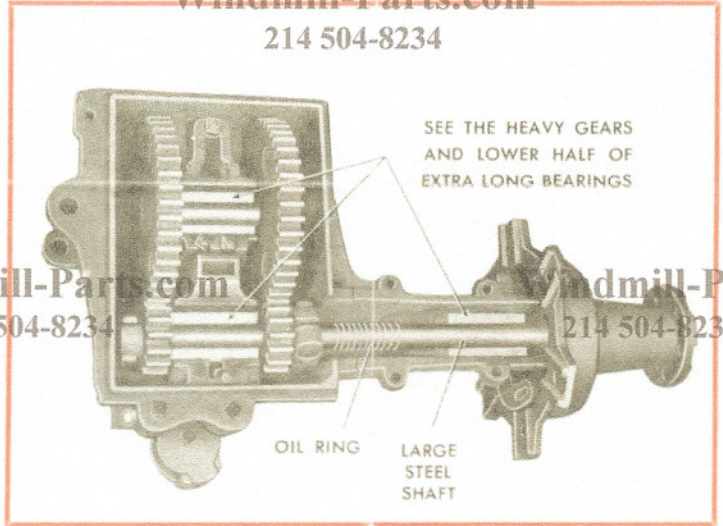
"I have two Currie Mills, one has been in service more than 30 years and some years ago we bought a 6-foot Self-Oiling Currie—we have never had a dime's worth of expense on them."  
MRS. JOE SHERMAN, Sherman, Okla.

#### GOOD IN HIGH WIND

"I have two Currie Windmills and like them fine. One 8-foot has been in service steady for 31 years. They take good care of themselves in high winds."  
P. F. DEMPSEY, Wray, Colo.

#### SIMPLE IN DESIGN

The picture to the right shows top half of bearings removed and the bearing caps removed. The three long Hard Wood Maple Bearings (lower halves) are shown with the shafting resting in position. The surface of these oil-soaked bearings, surrounding the shaft, becomes slick as oil-covered glass — a distinctive feature that has made CURRIE first choice on farms and ranches. The steel spiral oil ring feeds oil to wheel bearings.



Windmill-Parts.com  
214 504-8234

#### LAST INDEFINITELY

How long the bearings will last in the CURRIE Self-Oiler (first sold in 1928) we don't know. Being self-oiled constantly and protected from the elements, these bearings should last indefinitely.

#### CAN TAKE IT

"I have checked the Currie mills of which I can count eight from the top of my mill. I have noticed they run with less wind than most other makes. As to service, I believe your wood-bearing Self-Oiler is the mill that can take it and stand up. I have had no expense on my Currie Self-Oiler bought 12 years ago."  
WALFRED E. JOHNSON, McPherson, Kas.

#### EXCELLENT SERVICE

"I have two Currie Windmills bought in 1934 and they have given excellent service, without any trouble."  
C. C. FRIER, Sulphur, Okla.

Buy a Currie Self-Oiler Because It Is the Best Not Because It Is the Cheapest

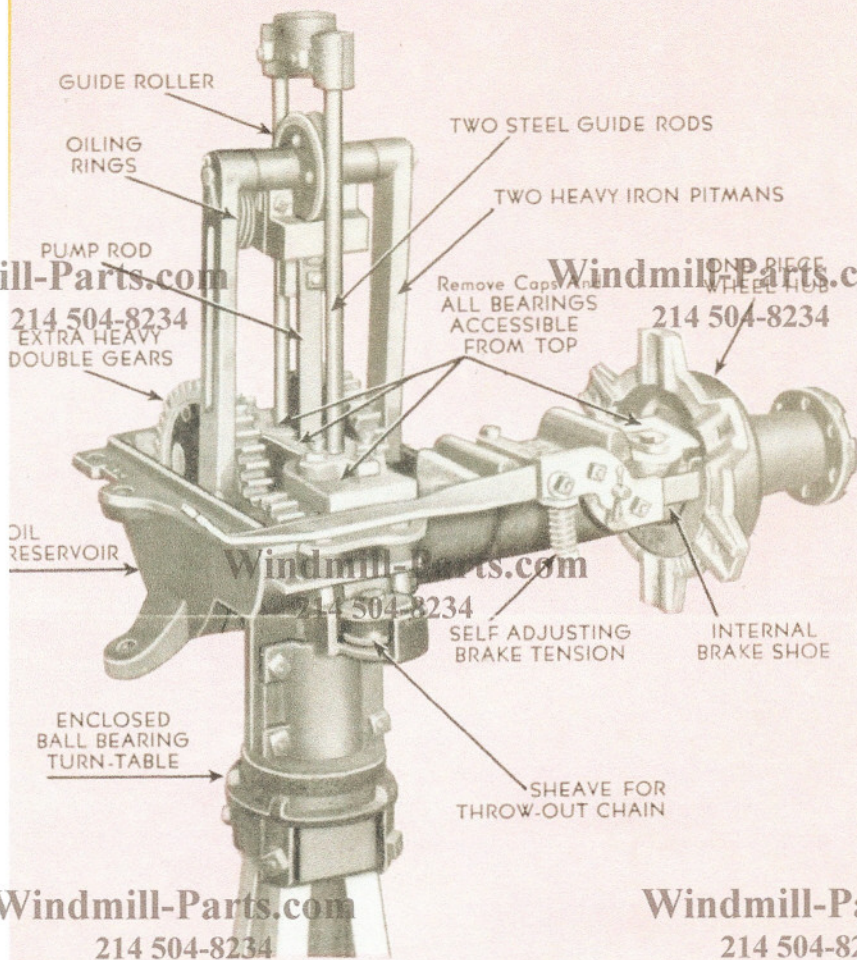
Windmill-Parts.com  
214 504-8234  
MANUFACTURED EXCLUSIVELY BY

# THE WYATT MANUFACTURING COMPANY

## SALINA, KANSAS

Windmill-Parts.com

Windmill-Parts.com



Windmill-Parts.com  
214 504-8234

Windmill-Parts.com  
214 504-8234

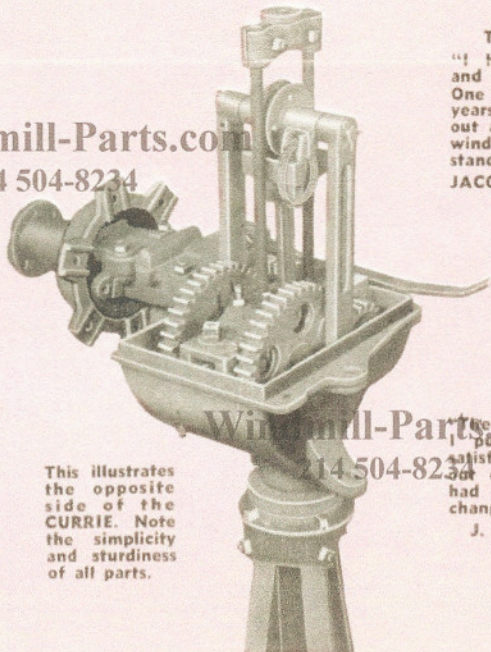
### LESS FRICTION

Friction is reduced to a minimum—where there is friction there is bound to be wear. You can understand why Currie owners say that their mill will often run when other makes stand still—it's because of less friction, double direct lift, well balanced wheel and corrugated vane that follows the breeze.

Windmill-Parts.com  
214 504-8234

### THINK THEY ARE BEST

"I have two Currie Windmills and I think they are the best. One has been in service about 13 years and the other 5 years without any trouble and they run in wind when other makes stand still."  
JACOB MERON, Seymour, Texas



This illustrates the opposite side of the CURRIE. Note the simplicity and sturdiness of all parts.

**100% SATISFACTION**  
The Currie Self-Oiling Windmill purchased has given 100% satisfaction. It has never been out of order one minute. I've had it about 10 years and changed oil only once."

J. A. MORGAN, Yaraby, Okla.

## GUARANTEED 5 YEARS

*EVERY New Improved CURRIE Windmill is Guaranteed for Five Years against defective materials or workmanship. After mill is properly erected and reasonable care given during the term of this guarantee, should any part break or wear out, due to defective material or workmanship, such parts will be replaced FREE, f.o.b., Salina,*

Windmill-Parts.com

Windmill-Parts.com

214 504-8234

THE WYATT MANUFACTURING

214 504-8234

## EVERY BOLT HAS A LOCK-WASHER

Every CURRIE Windmill head is completely assembled when it leaves our factory, except for the wheel. Simple instructions are furnished for assembling the wheel. All parts are bolted together, and every bolt has a LOCK-WASHER. *Windmill-Parts.com* require special wrenches in assembling, or making repairs, should damage occur in the future.

## YOUR CHOICE OF TOWER CAP

With each CURRIE Windmill we furnish FREE Tower Cap to fit your tower. Be sure to state if your tower is three or four post, steel or wood. Remember, with each CURRIE Self-Oiler Windmill you also receive a Ball

Windmill-Parts.com

Windmill-Parts.com

214 504-8234

214 504-8234