

# WATER SYSTEMS PARTS LIST

Windmill-Parts.com  
214 504-8234

## BASIC ENGINE ASSEMBLY

Windmill-Parts.com  
214 504-8234

FOR Windmill-Parts.com  
214 504-8234

### 6' #12-12B

## WINDMILLS

Windmill-Parts.com  
214 504-8234

Windmill-Parts.com  
214 504-8234

Windmill-Parts.com  
214 504-8234

Windmill-Parts.com  
214 504-8234

**DEMPSTER INDUSTRIES INC.**

BEATRICE, NEBRASKA

FORM 2539-2 REV. 10-21-91



# WATER SYSTEMS PARTS LIST

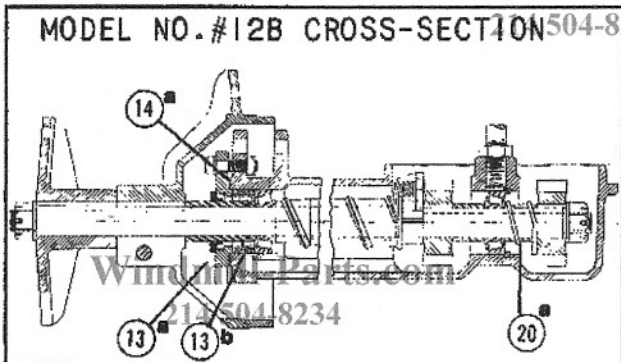
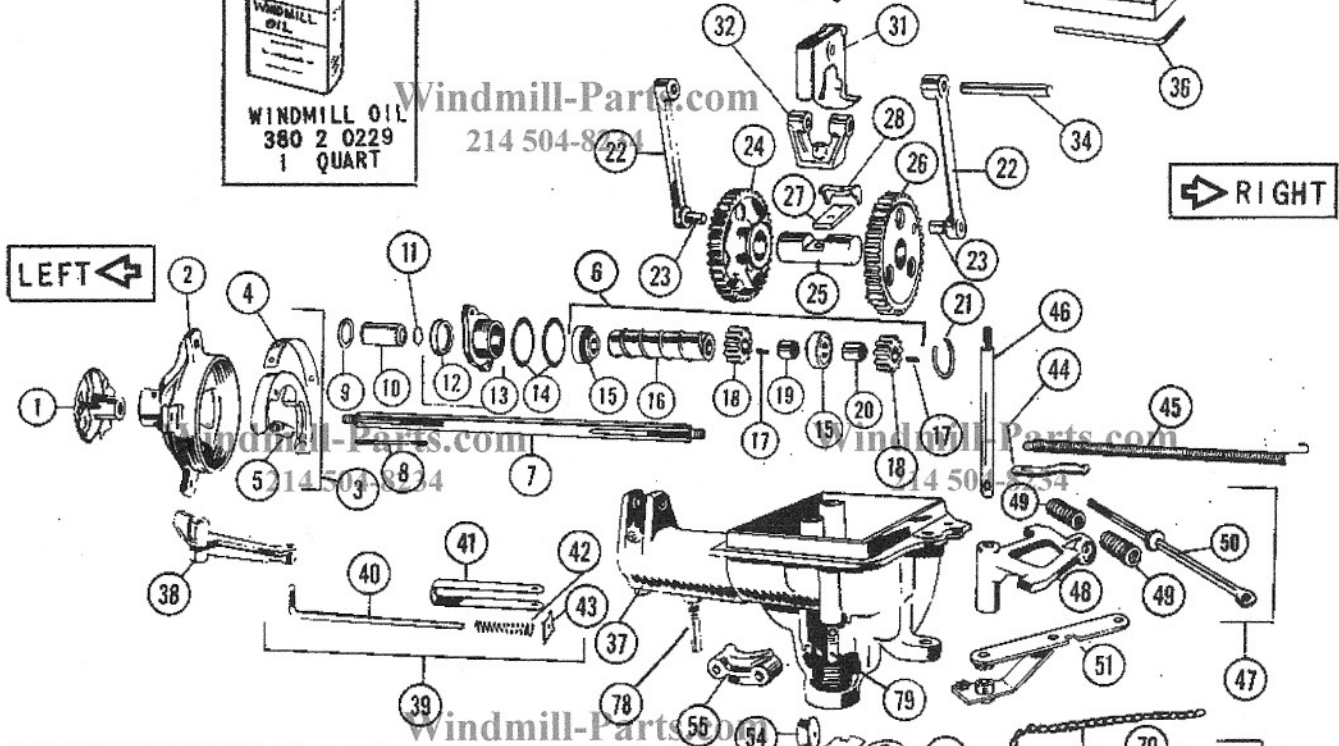
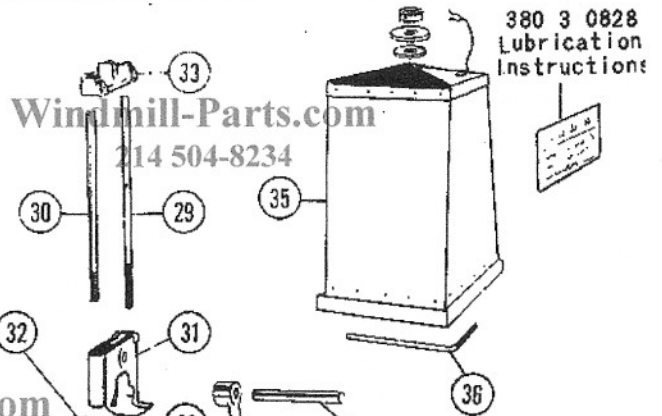
## 6' #12 & 12B WINDMILL PARTS

REF. NO.	PART NO.	DESCRIPTION	REF. NO.	PART NO.	DESCRIPTION
1	380-3-0042	Brace Spider	37	380-2-0004	Main Frame
2	380-3-0041	Wheel Spider	38	380-3-0038	Brake Lever
3	380-2-0011	Brake assembly	39	380-2-0010	Rod assembly
4	380-3-0025	Brake Band	40	380-3-0019	Rod
	380-3-0024	NAR	41	380-3-0021	Clevis
5	380-3-0047	Spring	42	380-3-0022	Spring
6	380-2-0012	Shaft assembly	43	380-2-0183	Washer
7	380-3-0027	Wheel Shaft	44	380-3-0045	Arm
8	900-24024	Sq. Key	45	380-3-0083	Spring
9	380-3-0607	Dust washer	46	380-3-0644	Hinge Pin
10	380-3-0046	Spacer	48	380-3-0053	Bumper Arm
11	907-03019	O-Ring	49	380-3-0054	Spring
12	901-02038	Oil Seal	50	380-2-0019	Rod
13	380-2-0163	Plate W/ Seal	51	380-2-0317	Pullout Arm
	380-3-0035	Plate only	52	380-3-0010	Sheare
14	380-3-0048	Gasket	53	380-3-0653	Guard
15	901-00031	Bearing Cap	54	380-3-0011	Roller
15	901-00134	Bearing Cone	55	380-3-0012	Clamp
	*380-3-0854	Bearing Spacer	56A	380-2-0212	Ball Race
16	380-3-0026	Shaft Spacer	57	907-02003	Steel Balls 5/8"
17	900-24019	Sq. Key	58	380-3-0070	Ball Race
18	380-3-0028	Pinion	59	380-3-0105	Bed Plate
19	380-3-0030	Spacer	60	380-3-0068	Corner Washer
20	380-3-0029	Spacer	61	380-2-0322	Pullout Tube
20A	380-3-0715	Bearing Oiler	62	380-3-0654	Chain 22-7/8"
21	380-3-0049	Stop Ring	63	380-2-0002	Pipe Stem
22	380-2-0006	Pitman assembly	64	380-2-0023	Pullout Swivel
23	380-3-0015	Pitman Pin	65	380-3-0065	Pullout Swivel
24	380-2-0008	Gear assembly	66	380-3-0067	Corner Washer
	380-3-0017	Gear only	67	380-2-0210	Storm Stay
25	380-3-0050	Gear Shaft	68	380-3-0033	Clamp
26	380-2-0007	Gear assembly	69	380-2-0026	Pump Rod assembly
	380-3-0016	Gear only	70	380-3-0078	Washer
27	380-3-0044	Clamp	71	900-10050	Washer
28	380-3-0040	Gear retainer	72	380-3-0077	Pump Rod
29	380-2-0017	Guide Rod	73	380-3-0076	Swivel
30	380-2-0018	Guide Rod	74	380-3-0075	Swivel Nut
31	380-2-0013	Cross head	75	380-3-0066	Pump Conv.
32	380-3-0039	Carrier	76	380-3-4273	Rod Adapter 5/8"
33	380-2-0009	Spacer	77	380-3-0071	Pump Pin
34	380-3-0043	Pin	78	380-3-0651	Brake Pin
35	380-2-0021	Hood	79	380-3-0652	Sheare Pin
36	380-3-0072	Packing			

\* Optional Cone 901-00030 #1751 doesn't require spacer.

DEMPSTER 6' #12 & 12B WINDMILLS

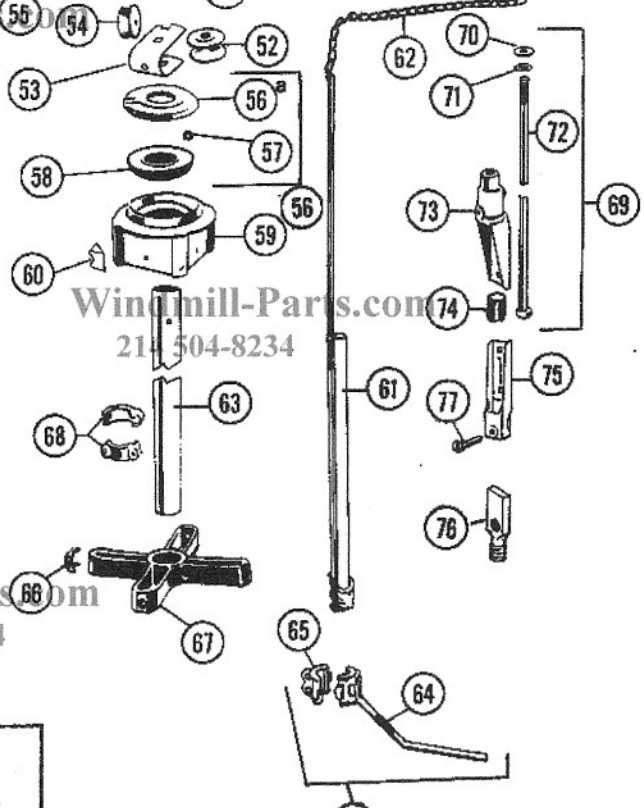
**6' ENGINE COMPLETE**  
380 1 0076  
**BASIC ENGINE ASSEMBLY**  
380 2 0220 8234  
Includes items 1-44, 46 & 52-58



**MODEL NO. #12B CROSS-SECTION**

**#12B SERIES**  
INTRODUCED JUNE 1982  
All Components same as #12  
- EXCEPT -  
Shaft Bearing Takeup Spring & End Plate  
Inboard Bearing Oiler

- See larger illustration on page 3



MANUAL  
FORM 2539

ENGINE FITTING BAG  
380-2-0311  
INCLUDES BALL RACE,

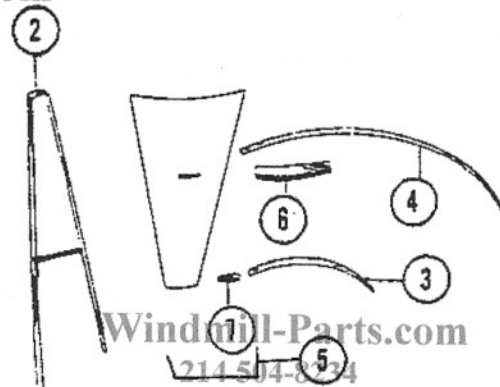
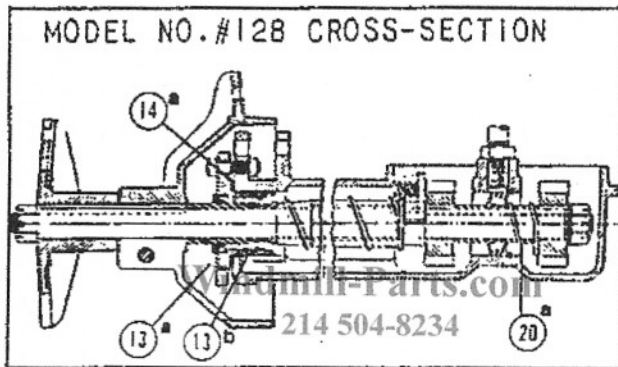
### MILLS INSTALLED AFTER JUNE 1982

Following 4 components for model 12B

REF. NO.	PART NO.	DESCRIPTION	REF. NO.	PART NO.	DESCRIPTION
13A	380-2-0323	Plate W/ Oil Seal	2	380-2-0133	Wheel Arm
	380-3-0708	Plate only	3	380-3-0619	Circle Short
13B	380-3-0700	Take up Spring	4	380-3-0620	Circle Long
14A	380-3-0704	Gasket	5	380-2-0230	Fan & Ear assembly
				380-3-0617	Fan only
			6	380-3-0866	Fan Plate
			7	380-3-0865	Fan Ear

Windmill-Parts.com

214 504-8234



WHEEL ASSEMBLY

Windmill-Parts.com

214 504-8234

Windmill-Parts.com

214 504-8234

Windmill-Parts.com

214 504-8234

Windmill-Parts.com

214 504-8234