



WATER SYSTEMS PARTS LIST

Windmill-Parts.com
214 504-8234

BASIC ENGINE ASSEMBLY

Windmill-Parts.com
214 504-8234

FOR

Windmill-Parts.com
214 504-8234

8' & 10'

Windmill-Parts.com
214 504-8234

#12-12B

WINDMILLS

Windmill-Parts.com
214 504-8234

Windmill-Parts.com
214 504-8234

Windmill-Parts.com
214 504-8234

DEMPSTER INDUSTRIES INC.
BEATRICE, NEBRASKA

FORM 2539-1 REV. 10-21-91



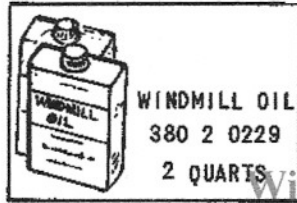
WATER SYSTEMS PARTS LIST

8' #12 & 12B & 10' #12 & 12B MILL PARTS

REF. NO.	PART NO. 8' #12	PART NO. 10' #12	DESCRIPTION	REF. NO.	PART NO. 8' #12	PART NO. 10' #12	DESCRIPTION
1	380-3-0131	380-3-0250	Brace Spider	35	380-3-0202	380-3-0251	Cross head Pin
2	380-3-0130	380-3-0249	Wheel Spider	36	380-2-0068	380-2-0090	Hood
3	380-2-011	380-2-0081	Brake assembly	37	380-3-0217	380-3-0272	Packing
4	380-3-0025	380-3-0237	Brake Band	38	380-2-0057	380-2-0075	Main Frame
	380-3-0024	380-3-0236	Brake Shoe	39	380-3-0127	380-3-0127	Brake Lever
5	380-3-0047	380-3-0258	Spring	40	380-2-0036	380-2-0080	Rod assembly
6	380-2-0063	380-2-0082	Shaft assembly	41	380-3-0118	380-3-0235	Brake Rod
7	380-3-0196	380-3-0240	Shaft	42	380-3-0021	380-3-0021	Clevis
8	900-24021	900-24021	Key	43	380-3-0022	380-3-0022	Spring
9	380-3-0205	380-3-0257	Washer	44	380-2-0183	380-2-0183	Washer
10	380-3-0135	380-3-0254	Spacer	45	380-3-0045	380-3-0253	Arm
11	907-03020	907-03021	O-Ring	46	380-3-0083	380-3-0773	Spring
12	901-02012	901-02000	Oil Seal	47	380-2-0039	380-2-0084	Hinge Pin assembly
13	380-2-0170	380-2-0172	Plate W/ Seal	48	380-2-0044	380-2-0089	Bumper assembly
	380-3-0126	380-3-0245	Plate only	49	380-3-0140	380-3-0264	Bumper Arm
14	380-3-0136	380-3-0255	Gasket	50	380-3-0142	380-3-0142	Spring
15	901-00034	901-00037	Bearing Cup	51	380-2-0043	380-2-0088	Bumper Rod
15	901-00033	901-00036	Bearing Cone	52	380-2-0318	380-3-0244	Pull out Arm
16	380-3-0194	380-3-0238	Shaft Spacer	53	380-3-0647	380-3-0183	Sheave
17	900-24018	900-24007	Key	54	380-3-0646	380-3-0230	Guard
18	380-3-0195	380-3-0239	Pinion	55	380-3-0184	380-3-0228	Roller
19	380-3-0197	380-3-0241	Spacer	56	380-3-0185	380-3-0229	Clamp
19A	380-3-0714	380-3-0713	Brg. Oiler	57A	380-2-0213	380-2-0213	Ball Race
20	380-3-0049	380-3-0259	Stop Ring	58	907-02004	907-02004	Steel Balls 3/4"
21	380-3-0201	380-3-0246	Scraper	59	380-3-0216	380-3-0216	Ball Race
22	380-3-0206	380-3-0206	Scraper Spring	60	380-3-0225	380-3-0225	Bed Plate
23	380-2-0059	380-2-0077	Pitman assembly	61	380-3-0068	380-3-0068	Corner Washer
24	380-3-0188	380-3-0232	Pitman Pin	62	380-2-0321	380-2-0321	Pull out Tube
25	380-2-0081	380-3-0234	S. Gear W/ dippers left	63	380-3-0648	380-3-0178	Chain only
	380-3-0190		Gear only	64	380-2-0055	380-2-0055	Pipe Stem
	380-2-0327		Gear W/ dippers right	65	380-2-0023	380-2-0023	Swivel
26	380-3-0191		Oil Dippers	66	380-3-0065	380-3-0065	Swivel
26		380-3-0256	Gear Bearing	67	380-3-0067	380-3-0067	Corner Washers
27	380-3-0192		Gear Bearing	68	380-2-0211	380-2-0211	Storm Stay
28	901-04020		Snap Ring	69	380-3-0199	380-3-0199	Clamp
28		380-3-0252	Shaft Clamp	70	380-2-0093	380-2-0093	Pump Rod assembly
29	380-2-0067		Guide Rod	71	380-3-0222	380-3-0222	Washer
29		380-3-0248	Gear Retainer	72	900-10052	900-10052	Washer
30	380-3-0204		Guide Rod Short	73	380-3-0274	380-3-0274	Rod only
30		380-2-0086	Guide Rod Long	74	380-3-0220	380-3-0220	Swivel
31	380-3-0203		Guide Rod Long	75	380-3-0075	380-3-0075	Swivel Nut
31		380-2-0087	Guide Rod Short	76	380-3-0066	380-3-0066	Pump Cover
32	380-2-0064	380-2-0083	Cross Head	76A	380-3-4273	380-3-4273	Adapter 5/8"
33	380-3-0207		Guard	77	380-3-0071	380-3-0071	Pump Pin
33		380-3-0247	Rod Carrier		380-3-0649	380-3-0649	Brake Pin
34	380-2-0060	380-2-0060	Spacer		380-3-0650	380-3-0650	Sheave Pin

DEMPSTER 8' #12 & 12B WINDMILLS

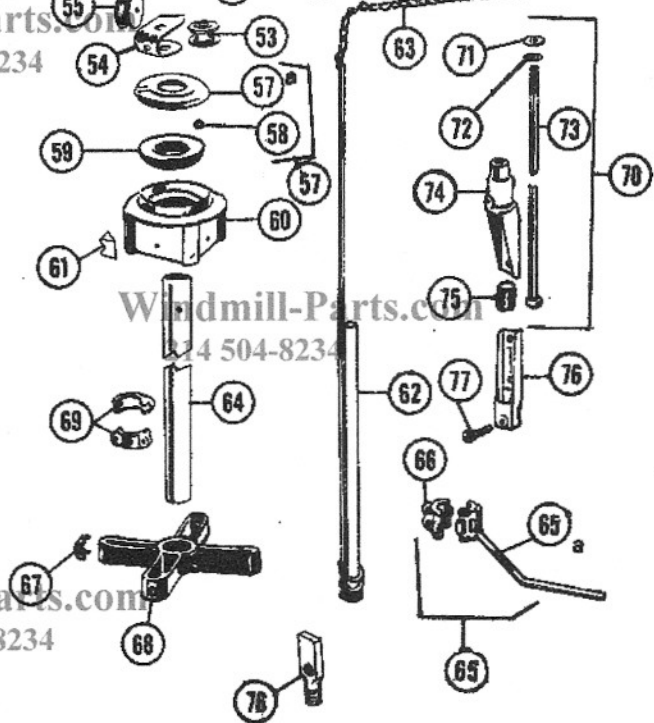
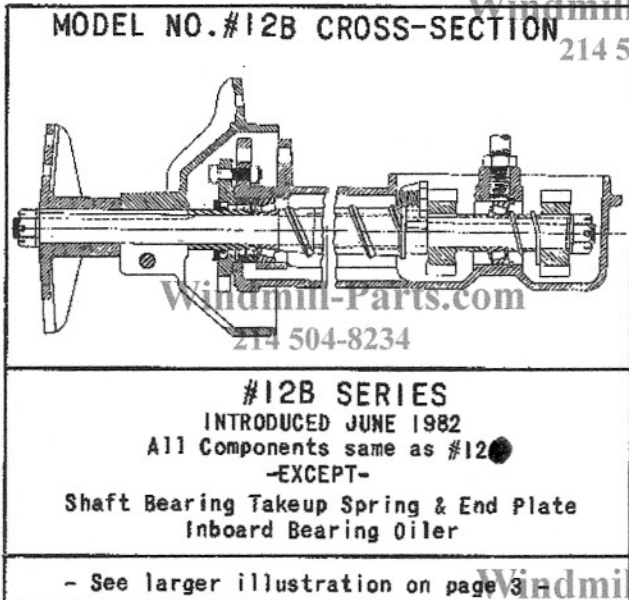
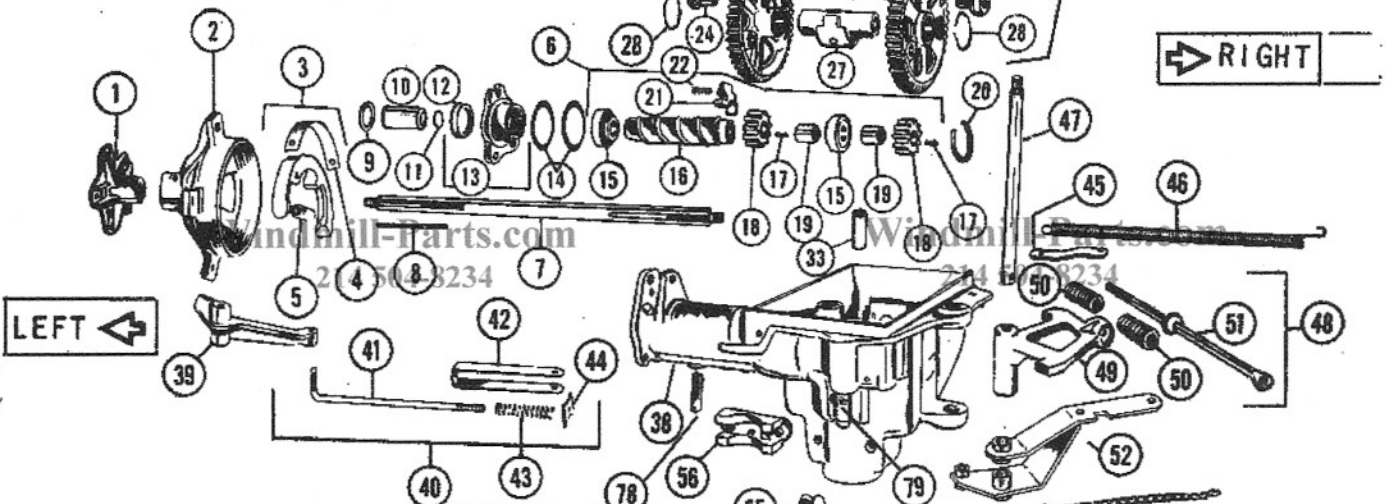
8' ENGINE COMPLETE
 380 1 0077
BASIC ENGINE ASSEMBLY
 Includes items 4.504-8234.



380 3 0828
 Lubrication
 Instructions

Windmill-Parts.com

214 504-8234



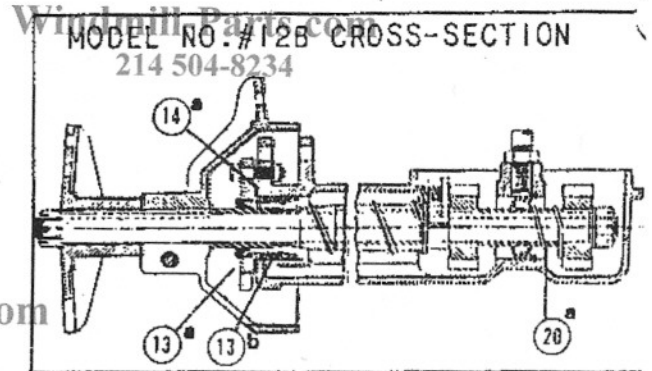
MANUAL
 FORM 2539

ENGINE FITTING BAG
 380 2 0313
 INCLUDES RAIL RACE

Following Parts for 12B Models

REF. NO.	PART NO. 8' #12	PART NO. 10' #12	DESCRIPTION
13A	380-2-0324	380-2-0325	Plate W/ Seal
	380-3-0709	380-3-0710	Plate
13B	380-3-0701	380-3-0702	Spring
14A	380-3-0705	380-3-0706	Gasket

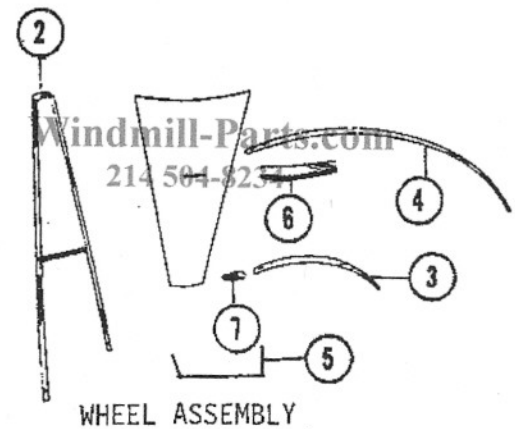
Windmill-Parts.com
214 504-8234



WHEEL ASSEMBLY

REF. NO.	PART NO. 8' #12	PART NO. 10' #12	DESCRIPTION
2	380-2-0049	380-2-0095	Wheel Arm
3	380-3-0867	380-3-0874	Circle Short
4	380-3-0868	380-3-0875	Circle Long
5	380-2-0249	380-2-0249	Fan & Ear assembly
	380-3-0873	380-3-0873	Fan only
6	380-3-0866	380-3-0866	Fan Plate
7	380-3-0865	380-3-0865	Fan Ear

Windmill-Parts.com
214 504-8234



WHEEL ASSEMBLY

Windmill-Parts.com
214 504-8234

Windmill-Parts.com
214 504-8234

Windmill-Parts.com
214 504-8234